

(No Model.)

N. TESLA.
COILS FOR ELECTRO MAGNETS.

No. 512,340.

Patented Jan. 9, 1894.

Fig. 1

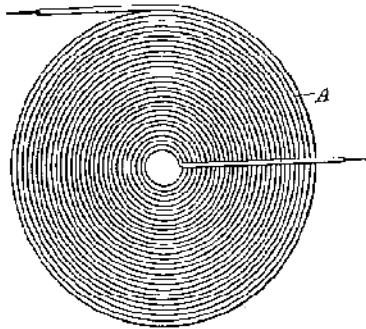
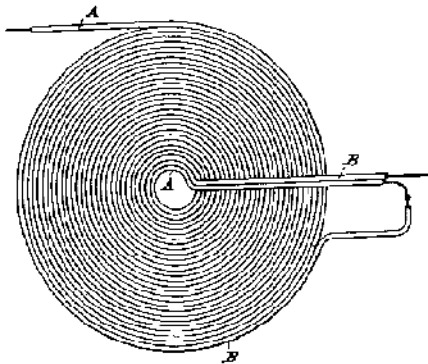


Fig. 2



Witnesses
Raphael Nittler
James H. Lathrop

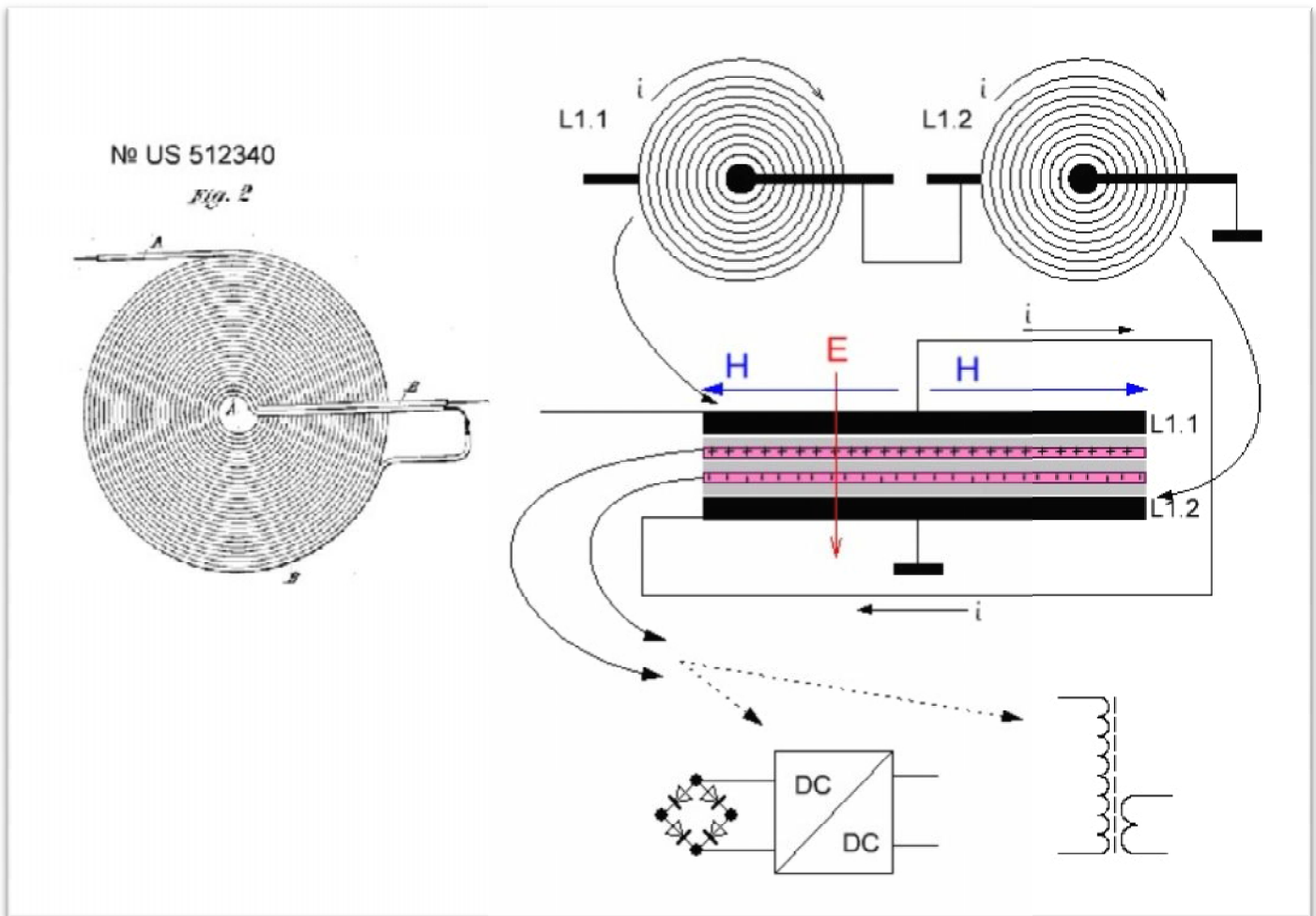
Inventor
Nikola Tesla
By His Attorneys
Duncan & Page

512340:

«... .1 - , .2 -
 - - .1 ,
 100 , 1000 .
 , , .2, - - -
 - - - (1000).
 50 , .. 250000 !»

L1.1 L1.2

! , E=(U/2)/L, L -



$$W = \frac{U^2 \times C}{2}$$

1 = 1 /1 ,

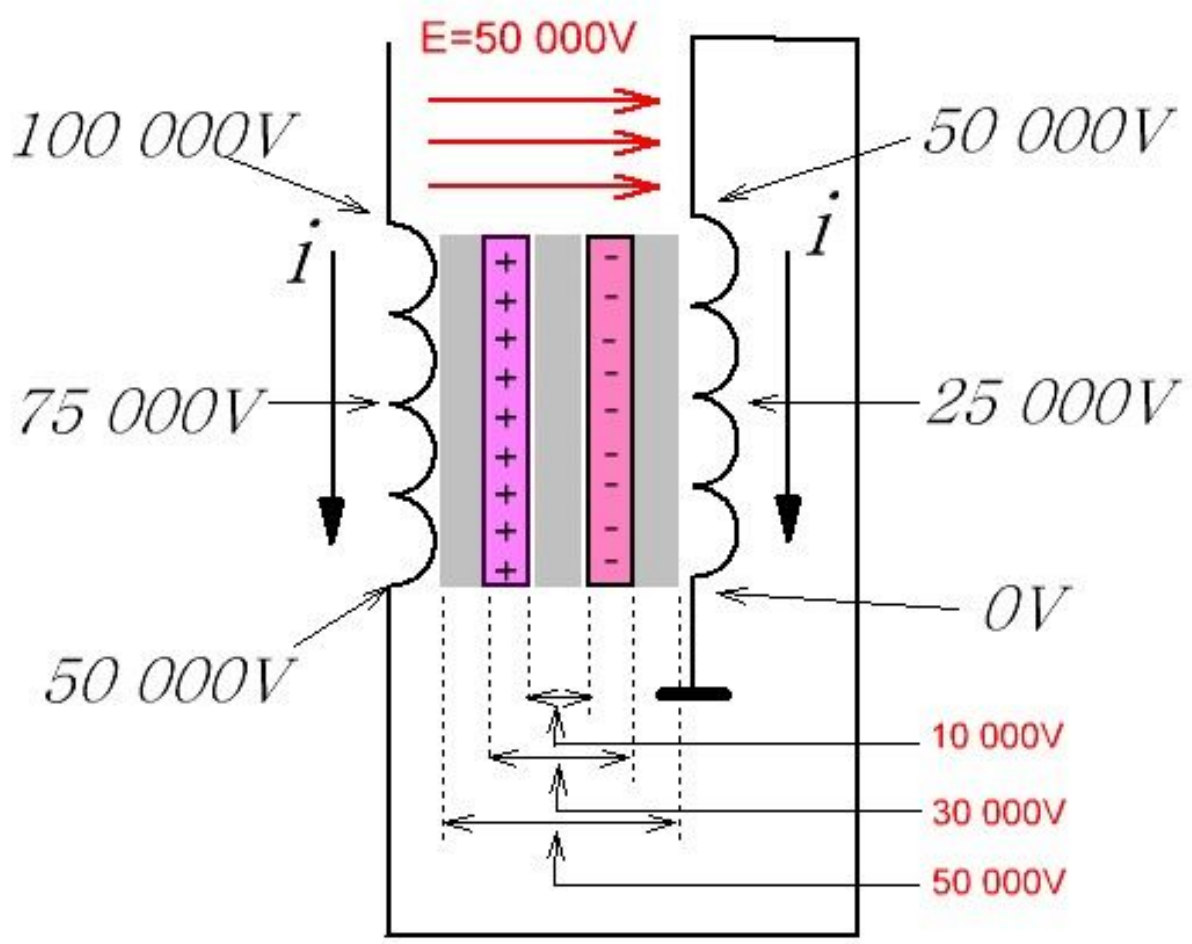
$$: W = \frac{U^2 \times C}{2} \times F$$

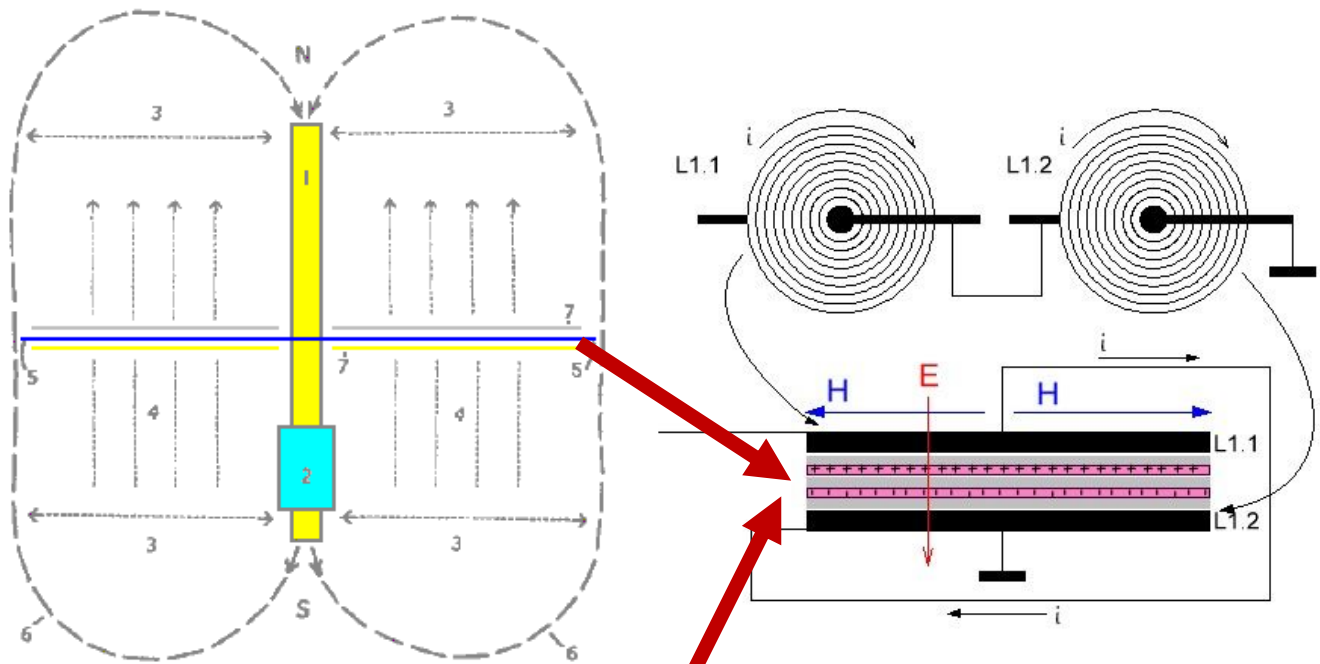
«Area of electron spin separation»!!!!!!



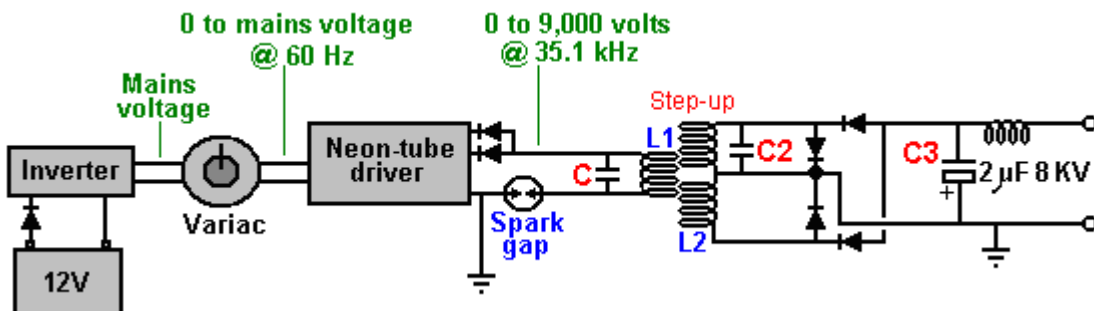
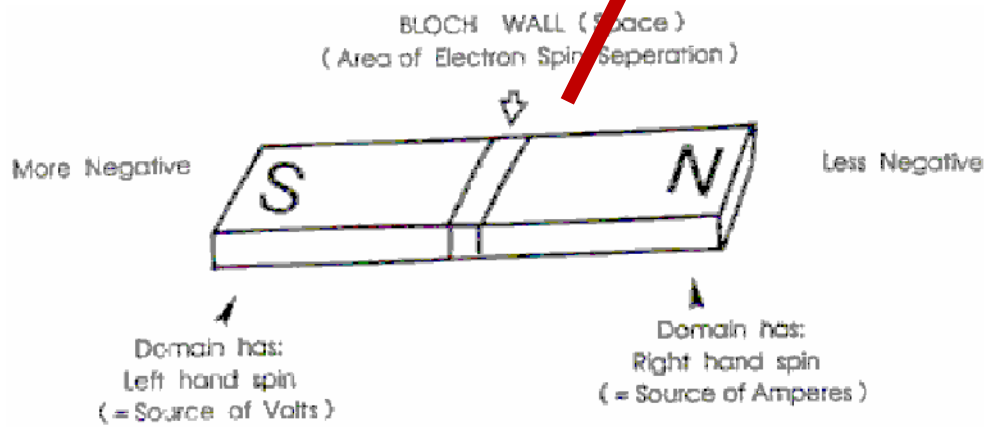
100
50 /L L -
10 ()
10 V ()
300

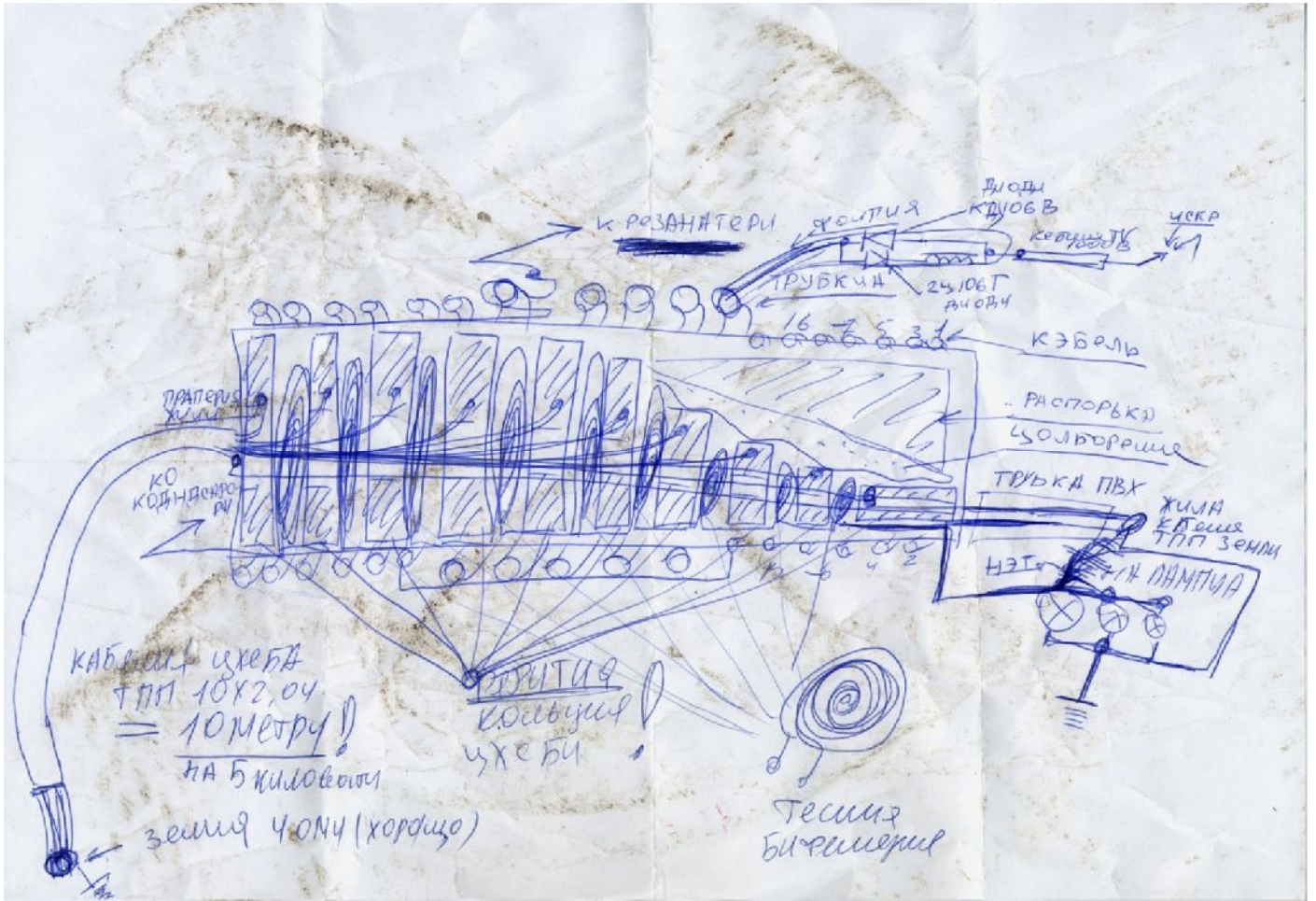
$$W = \frac{U^2 \times C}{2} \times F = \frac{10\,000^2 \times 10^{-8}}{2} \times 300\,000 = 15\,000 \text{ Вт.}$$





Potential Power is present in a bar magnet as shown:



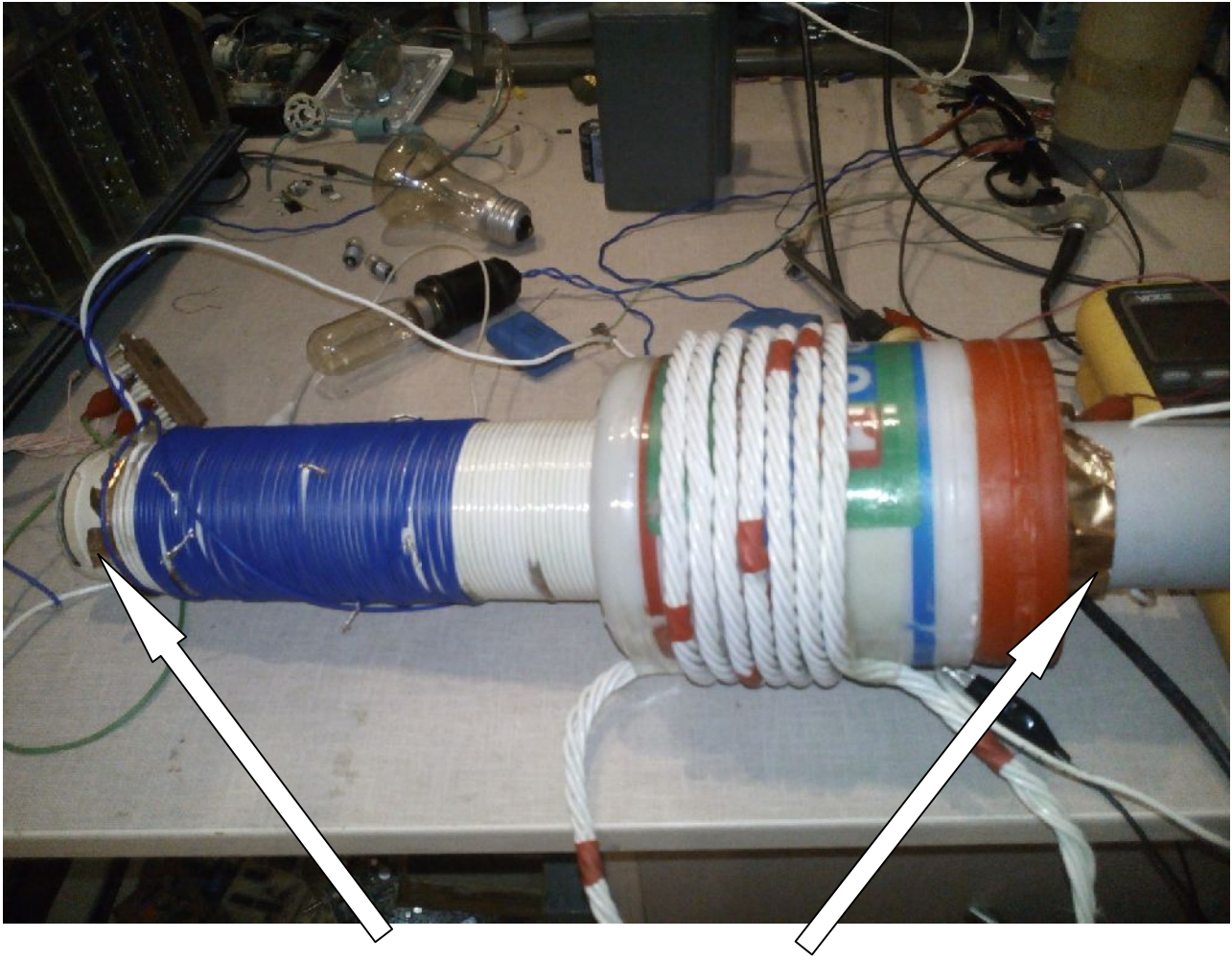


« »!

(10)

?

!



?

,

/

/

«

,

,...»

. nodird@mail.ru nodir.dost@gmail.com

2016